

## SR500 User Instructions

### Unlocking Methods:

1. Keycards: simply place the card close to the sensor
2. Key: the keyhole is in the lever of the front one

### Type of Cards:

1. Administrator card: first card to be encoded
2. User cards: remaining 99 cards

### Modes of Operation

1. Locked Mode: requires card to access
2. Passage Mode: no Card required

The SR500 is programmed to remain locked at all times, requiring card access. It can also be programmed to remain unlocked (passage mode) at all times, allowing open access until the Master or Regular card is used. The door locks automatically 1.5 seconds after the lever returns to the original horizontal position. Please follow instructions below for programming:

### Administrator Setup (The first card to be encoded is the master card.)

Press the Button on the back of the lock for 3 seconds until hear 1 long beep.

Position the card to the sensor (1 long beep).

Wait a second until the system exits setup mode.

### User Setup

Press the Button on the back of the lock for 3 seconds until hear 1 long beep.

Position the admin. card to the sensor (1 long beep).

Position the card to the sensor one by one to add (one time per long beep).

Wait a second until the system exits setup mode (setup ends with 3 beeps).

### User Deletion

Press the Button on the back of the lock for 3 seconds until hear 1 long beep.

Position the admin. card to the sensor (1 long beep).

Position the card to the sensor for deletion (one time per short beep).

Wait a second until the system exits setup mode (setup ends with 3 beeps).

### Passage Mode Setup (Blue flashed when getting close to it.)

Position the to the sensor (1 beep).

Press the Button on the back one time (short beep) to enter passage mode.

To return to locked mode, place the card used to the sensor twice and hear two beep sounds.

### All User Deletion (Admin. Card will not be deleted.)

Press the Button on the back of the lock for 3 seconds until hear 1 long beep. → Position the admin. card to the sensor (1 long beep). → Press the Button on the back of the lock for 5 seconds until a continuous beep and a short beep sounds after successful operation.

### Factory Default Settings if Administrator Card is Lost

1. Remove one battery.
2. Next, while continuously pressing the button on the back reinstall the battery. A continuous beeps and a short beep after successful operation.

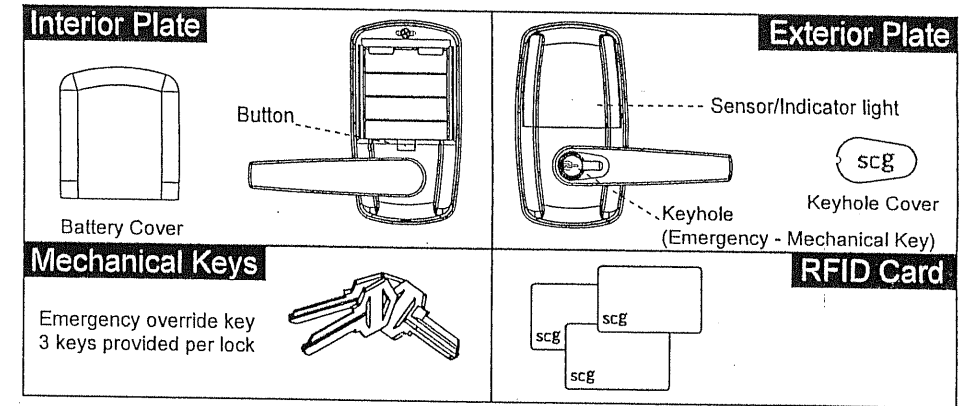
### Notice

- 3 beeps during operation mean failure or setup ends, while 1 beep means successful operation.
- Normal operation accompanied with 5 beeps in a row (low battery alert). Please change batteries.
- Card memory function. No need to re-encode the cards after battery replacement.

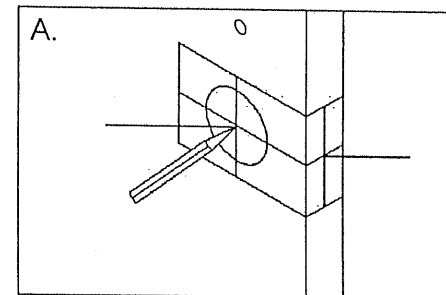
### Care & Maintenance

- Please use alkaline batteries only.
- Press and hold the lever more than 5 seconds there will be a warning sound (red light).
- To preserve the appearance of the product, wipe down using a clean cloth. Do not use alcohol or other chemical agents.
- The environment as the strong light etc. might result the keycards irregular.
- When hear the beeping sound, please verify the door and batteries.

## Product Overview

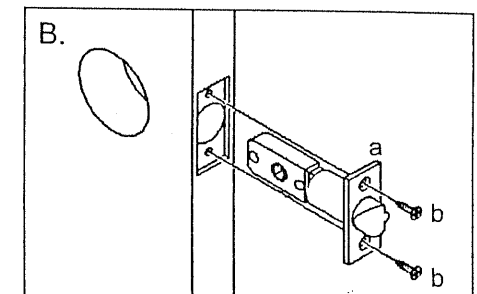


## Installation



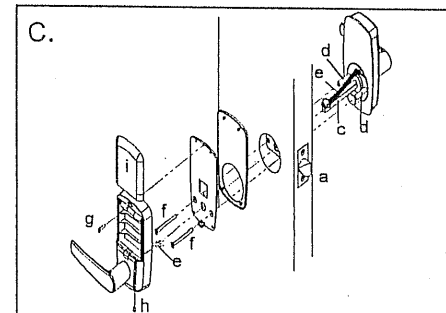
### Instruction A:

If the door is not bored, use the attached template and follow instructions on it. If the door is bored, skip Step A and proceed to Step B.



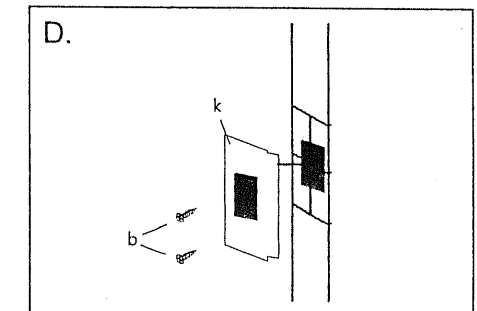
### Instruction B:

Insert latch (a) into the door. Use a Phillips screwdriver to tighten the screws (b) x 2, being careful not to overtighten.



### Instruction C:

1. Insert the pipes (d)x2 and square spindle (c) through the door and latch (a).  
\*\* The connect plug (e) have to pass through the upper of latch (a) and the hole.
2. Connect the two plates and tighten screw (f)x2 into pipes (d)x2 as diagram C.
3. Connect the plug and the socket (e)x2.
4. Remove battery cover (i) and tighten screws (g) and (h).  
\*\* When screw up, please make sure not to press the wires.
5. Install 4 AA alkaline batteries, close to the cover(h).



### Instruction D:

Place strike plate (k) on door frame and tighten screws (b) x 2.